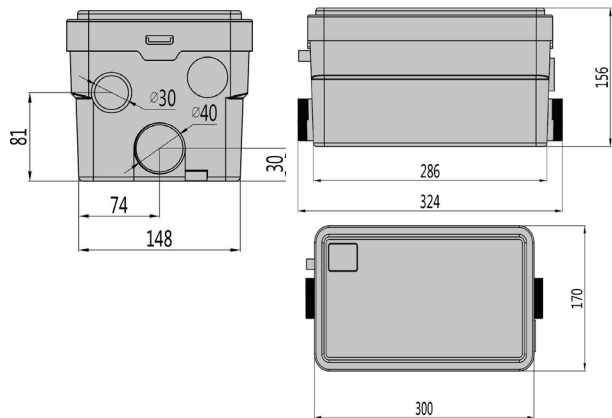


WHY CHOOSE THIS PRODUCT?

- Quiet technology
- Compact, neat and unobtrusive

PRODUCT DIMENSIONS



TECHNICAL DATA

Watts (Consumption)	250w
Electrical Supply	220-240V 50Hz
Flow rate at max head L/min	120 L/min
Horizontal Discharge	100 metres
Vertical Discharge	10 metres
Discharge Pipe	22mm / 28mm
Inlet Pipe	2x40mm
Water Temperature	Min 1°C Max 65°C
IP Rating	IPX7

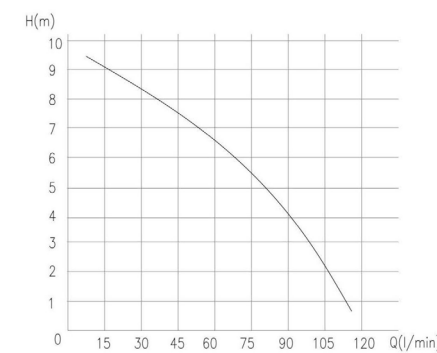
FP250 Macerator for Showers



suitable for

- Basin
- Shower
- Bidet

DISCHARGE HEIGHT / FLOW RATE



APPLICATION GUIDE – FLOWPRO MACERATOR RANGE

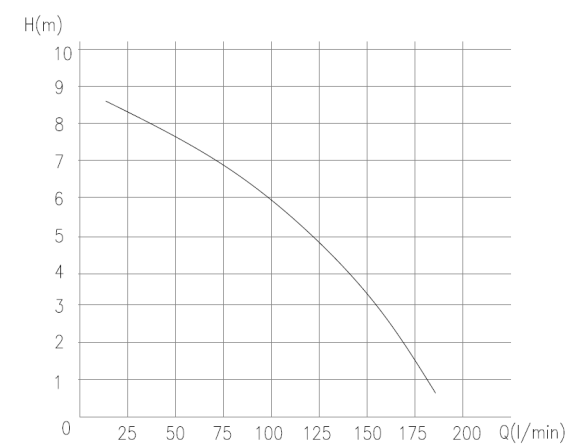
	FP250	FP400	FP400S	FP400K	FP800
Toilet		✓	✓		✓
Back to Wall Toilet			✓		
Wall Hung Toilet			✓		
Hand Basin	✓	✓	✓	✓	✓
Shower	✓	✓	✓	✓	✓
Bath				✓	
Bidet	✓	✓	✓	✓	✓
Kitchen Sink				✓	
Washing Machine				✓	
Dishwasher				✓	
Heavy Use / Commercial					✓



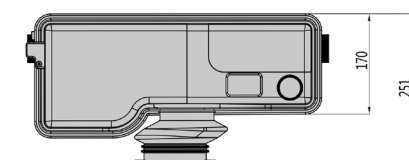
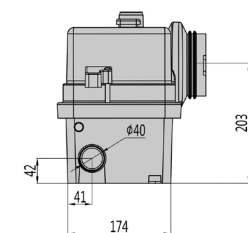
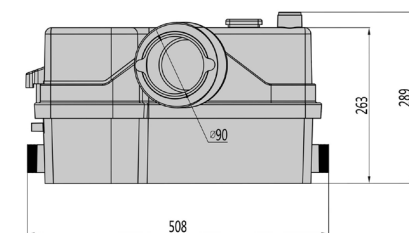
WHY CHOOSE THIS PRODUCT?

- Easiest access for servicing/maintenance - motor removeable in situ
- Capacity for an en-suite installation
- Voice alarm to alert when maintenance required

DISCHARGE HEIGHT / FLOW RATE



PRODUCT DIMENSIONS

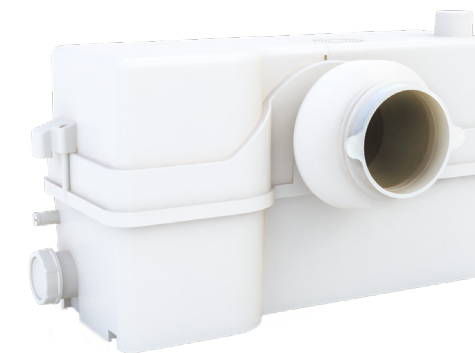


TECHNICAL DATA

Watts (Consumption)	800w
Electrical Supply	220-240V 50Hz
Flow rate at max head L/min	180L/min
Horizontal Discharge	90 metres
Vertical Discharge	9 metres
Discharge Pipe	22mm / 28mm / 32mm / 40mm
Inlet Pipe	1x100mm/3x40mm
Water Temperature	Min 1°C Max 50°C
IP Rating	IPX4

FP800 Easy Service Access Macerator

Our most powerful macerator
for commercial and heavy use



suitable for

- WC
- Basin
- Shower
- Bidet



GET PUMPED

Quality engineering at unbeatable value



The complete FlowPro range includes
the following models:

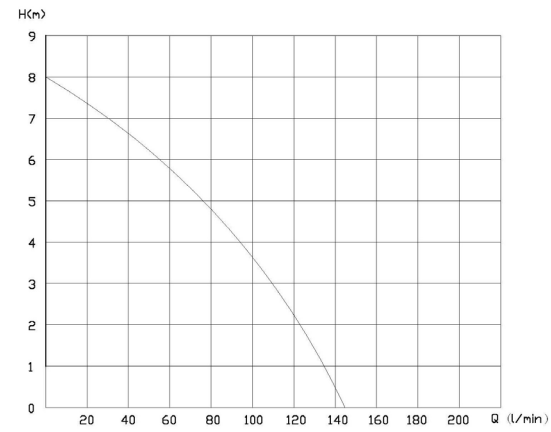
- FP400 Macerator
for WC and Bathroom
- FP400K Macerator
for Kitchen, Utilities and Bath
- FP400S Slim Macerator
for Wall Hung WC and Bathroom
- FP800 Easy Service Access
Macerator
Our most powerful macerator for
commercial and heavy use
- FP250 Macerator
for Showers



WHY CHOOSE THIS PRODUCT?

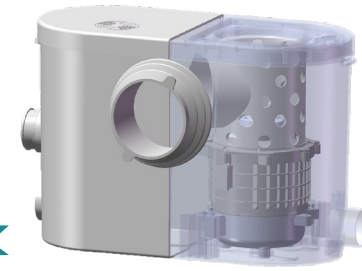
- Easy access for servicing/maintenance - No need to remove the unit
- Capacity for an en-suite installation
- Quiet technology
- Compact, neat and unobtrusive

DISCHARGE HEIGHT / FLOW RATE



FP400 Macerator

for WC and Bathroom

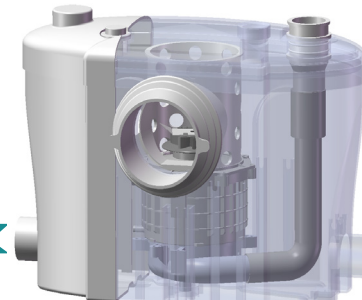


suitable for

- WC
- Basin
- Shower
- Bidet

FP400B Macerator

for WC and Bathroom with Top Outlet

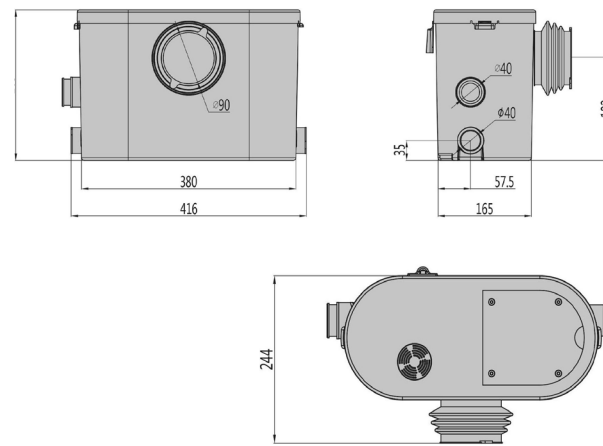


suitable for

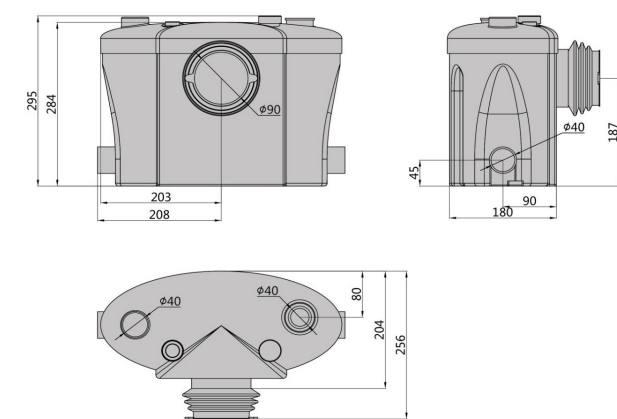
- WC
- Basin
- Shower
- Bidet



PRODUCT DIMENSIONS: FP400



PRODUCT DIMENSIONS: FP400B



TECHNICAL DATA

Discharge Pipe	22mm / 28mm / 32mm / 40mm (44mm for FP400B)
Inlet Pipe	1x100mm/2x40mm (3x40mm for FP400B)
Watts (Consumption)	400w
Electrical Supply	220-240V 50Hz
Flow rate at max head L/min	145 L/min
Horizontal Discharge	80 metres
Vertical Discharge	8 metres
Water Temperature	Min 1°C Max 80°C
IP Rating	IPX4

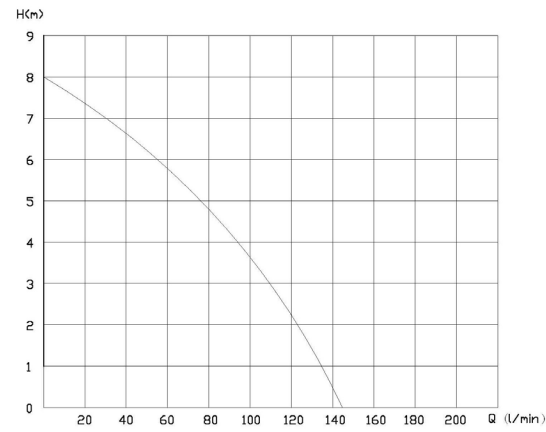
* 80°C for 30 minutes, 65°C for longer periods



WHY CHOOSE THIS PRODUCT?

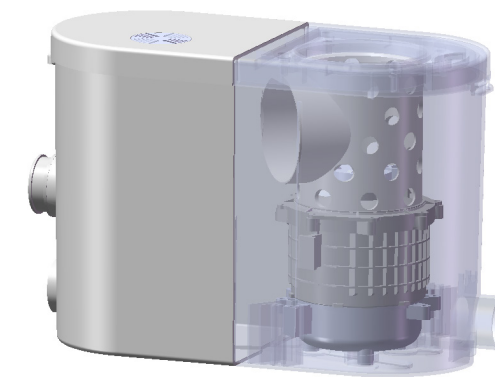
- Easy access for servicing/maintenance - No need to remove the unit
- Quiet technology
- Compact, neat and unobtrusive

DISCHARGE HEIGHT / FLOW RATE



FP400K Macerator

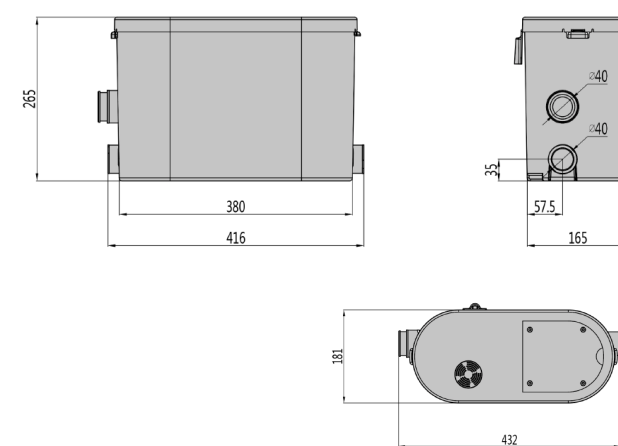
for Kitchen, Utilities and Bath



suitable for

- Basin
- Bath
- Shower
- Bidet
- Dishwasher
- Washing Machine
- Kitchen Sink

PRODUCT DIMENSIONS



TECHNICAL DATA

Watts (Consumption)	400w
Electrical Supply	220-240V 50Hz
Flow rate at max head L/min	145 L/min
Horizontal Discharge	80 metres
Vertical Discharge	8 metres
Discharge Pipe	22mm / 28mm / 32mm / 40mm
Inlet Pipe	2x40mm
Water Temperature	Min 1°C Max 100°C*
IP Rating	IPX4

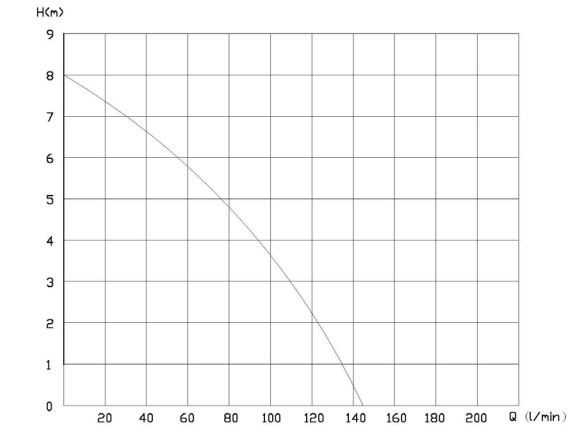
* 100°C for 30 minutes, 80°C for longer periods



WHY CHOOSE THIS PRODUCT?

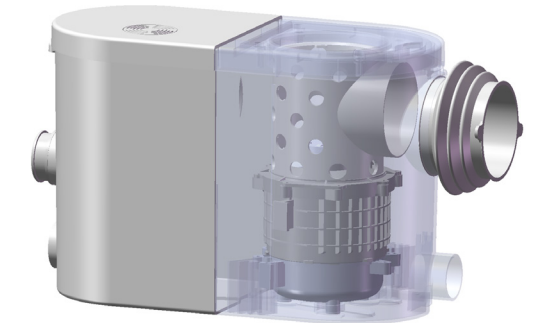
- Easy access for servicing/maintenance - No need to remove the unit
- Capacity for an en-suite installation
- Quiet technology
- Compact, neat and unobtrusive

DISCHARGE HEIGHT / FLOW RATE



FP400S Slim Macerator

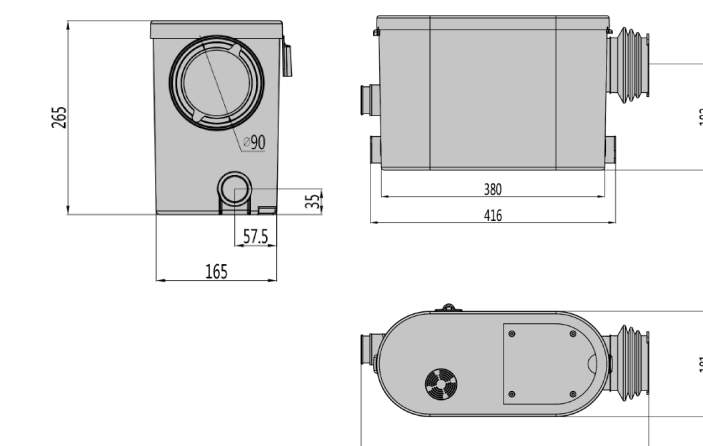
for Wall Hung WC and Bathroom



suitable for

- WC
- Basin
- Shower
- Bidet

PRODUCT DIMENSIONS



TECHNICAL DATA

Watts (Consumption)	400w
Electrical Supply	220-240V 50Hz
Flow rate at max head L/min	145 L/min
Horizontal Discharge	80 metres
Vertical Discharge	8 metres
Discharge Pipe	22mm / 28mm / 32mm / 40mm
Inlet Pipe	1x100mm/2x40mm
Water Temperature	Min 1°C Max 65°C
IP Rating	IPX4

